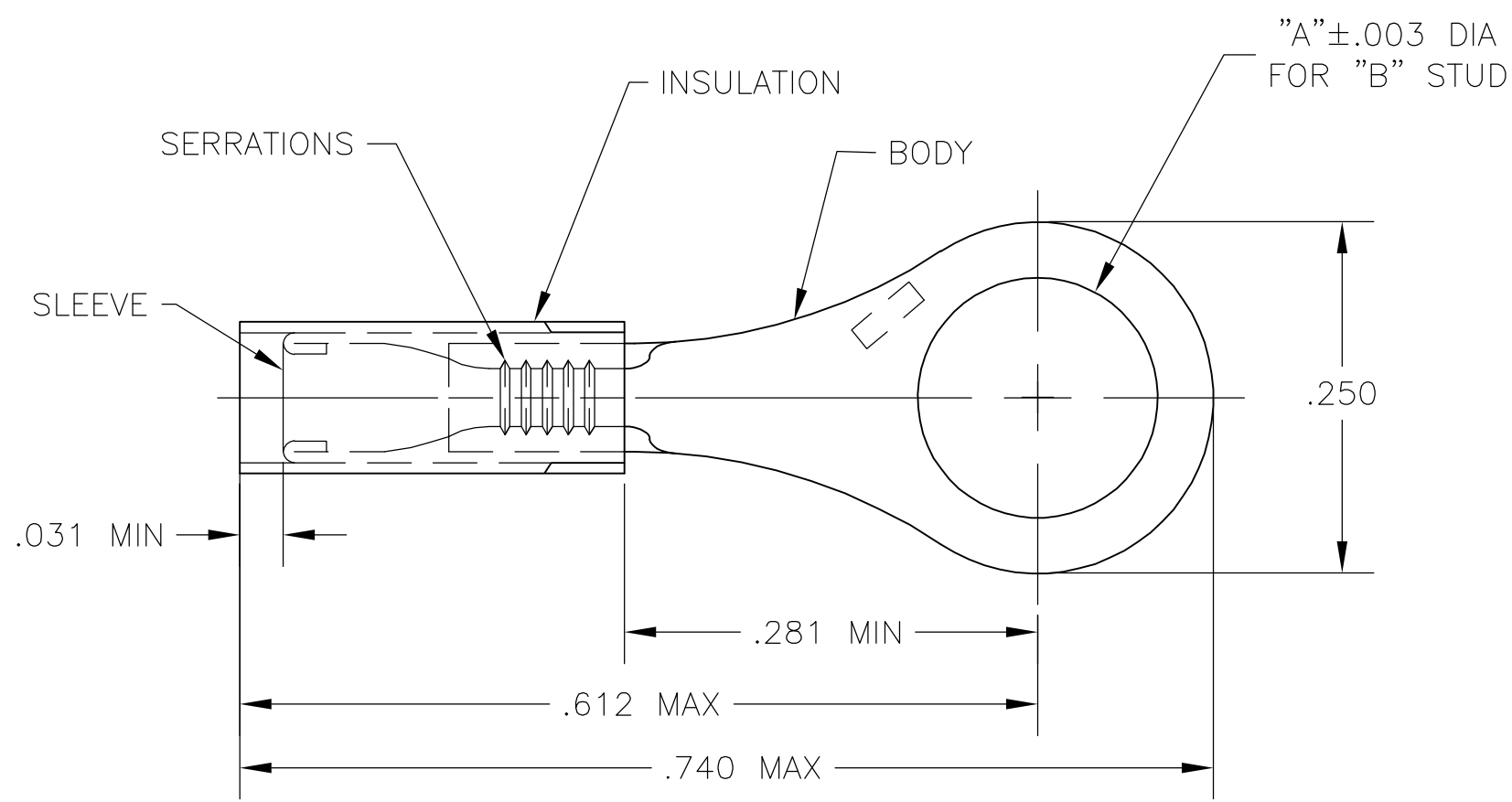


THIS DRAWING IS UNPUBLISHED. RELEASED FOR PUBLICATION
 © COPYRIGHT BY TYCO ELECTRONICS CORPORATION. ALL RIGHTS RESERVED.

LOC	DIST	REVISIONS					
G	02	P	LTR	DESCRIPTION	DATE	DWN	APVD
		P2		REV PER ECR 07-005868	14MAR07	JR	TM



- 1 STAMPED AMP, LOCATION APPROX AS SHOWN
- 2 TONGUE MATERIAL THK IS .018±.002
- 3 BODY: MATERIAL - COPPER ASTM B152
FINISH - GOLD PLATE ASTM B488
TYPE 2, .000100 MIN EXT THK OVER
NICKEL PLATE (QQ-N-290) .000030
AVG EXT. THK.
- 4 SLEEVE: COPPER ASTM B152
NICKEL PL (QQ-N-290)
.00003 AVG EXT. THK
- 5 INSULATION: TEFLON ASTM D3295
COLOR - BLACK
- 6 FOR .032 TO .082 WIRE
INSULATION DIA.

1000	.197	#10	LOOSE PIECE	1-332430-1
1000	.171	#8	LOOSE PIECE	1-332430-0
1000	.145	#6	LOOSE PIECE	332430
QTY	"A"	"B"	PACKAGE TYPE	PART NO

AMP INCORPORATED CUSTOMER SERVICE SYSTEMS		MAX RECOMMENDED OPERATING TEMPERATURE: 260°C	THIS DRAWING IS A CONTROLLED DOCUMENT.		DWN jr_ruth 08SEP04 CHK T MICHELUTTI 08SEP04 APVD T MICHELUTTI 08SEP04	tyco Electronics Tyco Electronics Corporation Harrisburg, PA 17105					
FOR ADDITIONAL PRODUCT INFORMATION OR COPIES OF DRAWINGS AND TECHNICAL DOCUMENTS PRODUCT INFORMATION CENTER 1-800-522-6752	FOR APPLICATION TOOLING ASSISTANCE CENTER TOOLING INFORMATION 1-800-722-1111	VOLTAGE RATING: 300V MAX	DIMENSIONS: INCHES	TOLERANCES UNLESS OTHERWISE SPECIFIED: 0 PLC ± - 1 PLC ± - 2 PLC ± - 3 PLC ± .005 4 PLC ± - ANGLES ± 1°	NAME TERMINAL, RING TONGUE, TEFLON-PIDG, STRATO-THERM, 26-24 AWG	SIZE A3	CAGE CODE 00779	DRAWING NO C-332430	RESTRICTED TO -		
FOR ORDER ENTRY 1-800-526-5142	THIS DRAWING IS A CONTROLLED DOCUMENT FOR AMP INCORPORATED. IT IS SUBJECT TO CHANGE AND THE CONTROLLING ENGINEERING ORGANIZATION SHOULD BE CONTACTED FOR THE LATEST REVISION.		MATERIAL 3-4-5	FINISH 3-4-5	WEIGHT -	CUSTOMER DRAWING			SCALE 8:1	SHEET 1 OF 1	REV P2